

## Product Data Sheet

### migra TFT – IP20

Diagonal	42" / 106 cm	46" / 117 cm	55" / 139 cm
----------	--------------	--------------	--------------

#### Display

Active screen dimensions (h x v)	930 x 523 mm	1018 x 572 mm	1210 x 680 mm
Resolution (pixel)	1920 x 1080	1920 x 1080	1920 x 1080
Viewing angle (typical)	178°	178°	178°
Contrast ratio (typical)	4000:1	4000:1	4000:1
Brightness (typical)	700 cd/m <sup>2</sup>	700 cd/m <sup>2</sup>	700 cd/m <sup>2</sup>
Colour performance	16,7 Mio (full colour)		
Response time (typical, grey to grey)	8ms	6,5ms	6,5ms
Backlight system	E-LED (Edge-LED)		

#### Environmental conditions

IP protection	IP20 optional with safety glass
Temperature (operating)	5°C bis + 40°C
Temperature (non-operating)	-20°C bis +60°C
Humidity	10% to 90% (non-condensing)

#### Power

Power consumption (Monitor version)	87W typ. / 107W max.	77W typ. / 95W max.	99W typ. / 120W max.
Power supply	90V to 264V, 47Hz to 63Hz	90V to 264V, 47Hz to 63Hz	90V to 264V, 47Hz to 63Hz

#### Dimensions & Weight

H x W x D (+/-2mm)	559 x 966 x 67 mm bzw. *95 mm	606 x 1052 x 67 mm bzw. *95 mm	714 x 1244 x 66 mm bzw. *95 mm
Bezel width	16 mm	16 mm	16 mm
VESA fixings	600 x 400 mm(M8)	600 x 400 mm(M8)	600 x 400 mm(M8)
Approx. Weight (+/-10%)	15 kg / *22 kg	16 kg / *35 kg	22 kg / *41 kg

**Approvals**


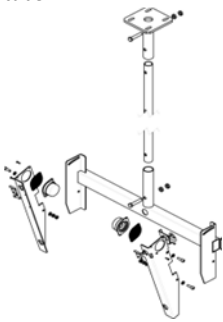

EMI/EMC	EN55022 class A, EN55024, EN61000-3-2/-3
Safety	EN60950, CE

**Colour**

Standard colour	RAL 9005 (black), powder coated
Standard colour cBox	RAL 9005 (black), powder coated
Customized colour	On request

**Options**

Wall mounting kits, Mounting kit with tilt adapter plate, Ceiling mounting kits

Wall mounting kits	Ceiling mounting kits	
<p>Mounting kit with tilt adapter plate</p> 	<p>Mounting kit with tilt adapter plate and ceiling adapter plate, without tube.</p> 	<p>Mounting kit hanging with chain.</p> 

## Display with IPC (integrated Industrial PC)

Display supplied with integrated industrial PC, operating system and monitoring software.

The consequent use of components from the Intel embedded roadmap secures lowest power consumption as well as optimum performance and reliability. It is perfectly suited to run all kinds of MS Windows based Digital Signage solutions.

IPC	
Processor	Intel® Atom™ x7-E3950 quad core, 1,6 GHz
HDD	min. 128GB SSD
RAM	4 GB
Graphics	Intel® HD Graphics, Full hardware acceleration for MPEG2, H.264, DirectX12, OCL 2.0, OGL 4.3, WMV9 und VC1
Network adapter Ethernet	1 x 1000
Sound	Intel® High Definition Audio (Intel® HD Audio)
RS232	1x
USB 2.0	2x
SD card slot	1x
DVI-D	1x
DisplayPort 1.2	1x
Audio Lineout	1x
Hardware watchdog	●
Software (installed on SSD) Windows 10 IoT Enterprise®	●

Controls	
User controls	Reset button
Control of display functions	Via IR or USB keyboard or via network

**Accessories**  
 Operating manual (E/D), AC power cord, IR keyboard (option), IR remote control (option)



## Display with Monitor-Electronics

Monitor for connection to external signal sources

Displays in “monitor-only” configuration are equipped with high-capacity electronics, connectors and controls. This platform offers various connectivity options for PCs, DVD players, set-top boxes, etc.. The high end signal processing provides the best possible picture quality independent of the input signal, both for digital and analogue signal sources.

### Electronics

Horizontal frequency	15kHz – 90kHz
Vertikal frequency	49Hz – 90Hz
Signal timing table	640 x 400, 720 x 400, 640 x 480, 800 x 600, 1024 x 768, 1280 x 768, 1366 x 768, 1280 x 1024, 1600 x 1200, 1920 x 1080, 1920 x 1200, 2560 x 1440, 2560 x 1600 720i, 720p, 1080i (HDMI), 1080p (HDMI)

### Controls

Control of display functions	Via IR remote control On-screen display (OSD languages: German, English, French, Italian, Spanish and Russian) RS 232
------------------------------	---

### Connectors

Video input	HDMI 1.4 Y / CVBS (Y in or CVBS in), for SD-Video S-Video in (Y/C) for SD-Video	19pin standard HDMI Cinch Mini-DIN
Video output	DisplayPort 1.2 (Full HD)	20pin standard DisplayPort
PC input	DVI-I (VGA analog and dual link DVI) DisplayPort 1.2	24+5pin DVI 20pin standard DisplayPort
Serial Interface	RS232 (full remote control and service)	9pin HDSUB

### Accessories

Operating manual (E/D), AC power cord, IR remote control

